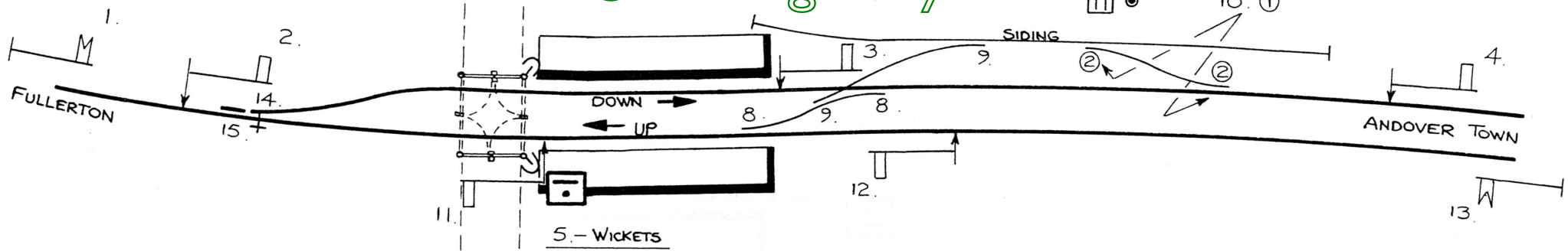


CLATFORD (1884)

L & SW TYPE I BOX.
 STEVENS' FRAME, 4 1/8" CENTRES.
 LINE DOUBLED TO ANDOVER TOWN SEPT. 1884.
 PREECE 1-WIRE BLOCK TO ANDOVER TOWN.
 TYER'S TABLET TO FULLERTON.

© George Pryer

GROUND FRAME
 NUMBERS THUS: - ①



- 5. - WICKETS
- 6. - GATE BOLT
- 7. - GATE STOPS

LINE DOUBLED TO FULLERTON BY
 JUNE 1885. LEVERS 14 & 15
 REMOVED FROM FRAME.
 GATES WORKED BY WHEEL.
 PREECE 1-WIRE BLOCK.

GROUND FRAME
 NUMBERS THUS: - ①

© George Pryer
 Used with permission
 Zena Pryer - 2020