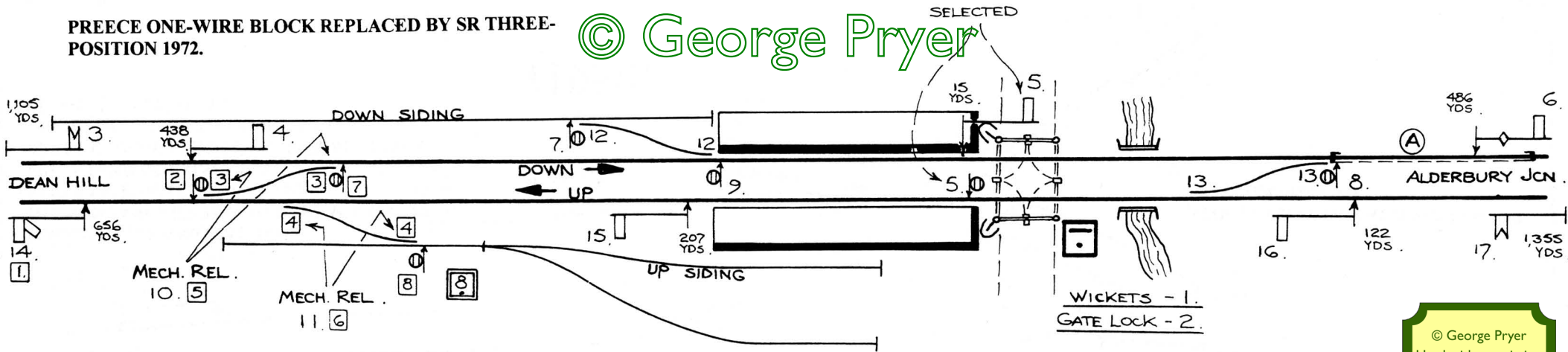


DEAN (1949)

PREECE ONE-WIRE BLOCK REPLACED BY SR THREE-POSITION 1972.

© George Pryer



02-06-1962: Up Sidings abolished. Lever 11 made spare.

13-08-1972: New Ground Frame "B" at East Grimstead into use, together with new Colour-light signals.

© George Pryer
Used with permission
Zena Pryer - 2020

BOX OPEN CONTINUOUSLY